

SENKO



*For perfectly
warm home!*

PRODUCT CATALOG

cookers ▪ stoves ▪ fireplaces ▪ electric boiler

2024

SENKO

Senko d.o.o. is a family business, founded in 1978, which has been working on the development, production and improvement of stoves, ovens and fireplaces on wood biomass for over thirty-five years. Years of continuous growth, constant investment in new technologies and complete commitment to the development of our own innovative products have resulted in the fact that today we are a modernly equipped factory that, on 4000 m² of production space, with professional and experienced employees, develops new models of stoves in accordance with EN standards.

We can guarantee our customers top product quality because within SENKO production we have a complete complete process: from our own product development department, preparation of parts by laser cutting and punching, CNC robotic welding of boilers and line assembly to a modernly equipped laboratory for quality control and product testing.

All SENKO products are manufactured in accordance with EN standards and bear the CE mark and Declaration of Properties. With our name, we guarantee the quality of our stoves, ovens, fireplaces, and in recent years also electric boilers!





Biomass heating systems (wood and pellets) are a proven and most efficient way for heating your home. It is environmentally friendly and no threat for your health. Firing with wood will give the perfect warmth, comfort and positive atmosphere to your whole environment and to your home.

WHY HEATING WITH WOOD BIOMASS?

- ENVIRONMENTALLY FRIENDLY ▪ 100 % REUSABLE ▪
- SAFE AND SIMPLE USAGE ▪ EASY INSTALLATION ▪
- SIMPLE STORAGE; HARMLESS FOR HOUSEHOLD AND ENVIRONMENT ▪

A well-planned restoration of forest areas is a sustainable source of thermal energy which, when burned, does not increase CO₂ emissions in the atmosphere, given that the same amount of CO₂ is needed for the regrowth of an equal amount of wood biomass.

ADVANTAGES OF SENKO COOKERS



An external combustion air supply is mounted at the rear side of the cooker.



All models are equipped with glass firedoor to enable control of fuel combustion.



SENKO cookers are coated with firebrick, which has a positive affect on the combustion quality.



Chimney / Flue connection is height adjustable to facilitate easier installation.



Intake of secondary air into the firebox provide an additional fuel efficiency and combustion of harmful gases - SENKO GREEN LABEL.



Cooking plates are 8 mm thick and ensure long operational life of the cooker.



To change the grate's summer - winter position during firing, models for central heating offer thread driven firebox grate.



POSSIBILITY!
Glass-ceramic cooking plate (CERAN).

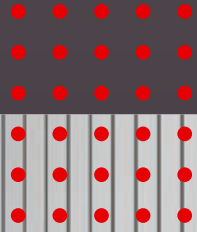




CENTRAL HEATING

COOKERS

WITHOUT OVEN



 **SENKO**
ECOdesign





C-20

CENTRAL HEATING
COOKERS
WITHOUT OVEN



BASIC COLORS

INOX MAT PC-2 PC-3 PC-7



» COMBINATION
with existing heating system

A+

L/R

Nominal heat output
Dimensions (W x D x H)
Flue gases exhaust

15,8 - 25 kW
60x64x85/92 cm
Ø 130 mm



» POSSIBILITY
Glass-ceramic
cooking plate
(CERAN).

COLORS

PC-2 PC-3 PC-7 PC-8



C-20 PREMIUM

CENTRAL HEATING
COOKERS
WITHOUT OVEN



C-30

CENTRAL HEATING
COOKERS
WITHOUT OVEN



BASIC

COLORS



INOX
MAT

PC-2

PC-3

PC-7

A+

L/R

Nominal heat output
Dimensions (W x D x H)
Flue gases exhaust

19,1 - 35 kW
60x78x85/92 cm
Ø 140 mm



» COMBINATION
with existing heating system

CENTRAL HEATING

COOKERS

WITH OVEN





 **SENKO**
ECO design



C-25

CENTRAL HEATING
COOKERS
WITH OVEN



» COMBINATION
with existing heating system

A+

L/R

Nominal heat output
Dimensions (W x D x H)
Flue gases exhaust

17,2 - 25 kW
100×64×85/92 cm
Ø 130 mm

BASIC

COLORS



INOX
MAT



PC-2



PC-3



PC-7

C-35

CENTRAL HEATING
COOKERS
WITH OVEN



BASIC

COLORS



INOX
MAT

PC-2

PC-3

PC-7

A+

L/R

Nominal heat output
Dimensions (W x D x H)
Flue gases exhaust

21 - 35 kW
100x78x85/92 cm
Ø 150 mm



» COMBINATION
with existing heating system



PREMIUM LINE

CENTRAL HEATING COOKERS

WITH OVEN







» POSSIBILITY
Glass-ceramic cooking
plate (CERAN).



COLORS



C-25 PREMIUM

CENTRAL HEATING
COOKERS
WITH OVEN



» COMBINATION
with existing heating system

A+	L/R
Nominal heat output	17,2 - 25 kW
Dimensions (W x D x H)	100×64×85/92 cm
Flue gases exhaust	Ø 130 mm



COLORS



PC-2

PC-3

PC-7

PC-8



» COMBINATION
with existing heating system

A+

L/R

Nominal heat output
Dimensions (W x D x H)
Flue gases exhaust

21 - 35 kW
100×78×85/92 cm
Ø 150 mm

C-35 PREMIUM

CENTRAL HEATING
COOKERS
WITH OVEN



– SENKO PREMIUM –

BLACK EDITION

Attractive. Powerful. Versatile.

Limited edition of cookers for those who appreciate the top design and equip modern interiors.



» POSSIBILITY

Glass-ceramic cooking plate

SCHOTT CERAN®

SCHOTT CERAN® cooking plate is made from patented glass ceramics, material that combines aesthetics of glass with enormous heat resistance and stability.

SOLID FUEL

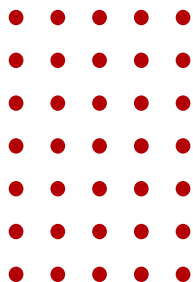
COOKERS





SG-50

SOLID FUEL
COOKERS



A+

L/R

Nominal heat output
Dimensions (W x D x H)
Flue gases exhaust

7,2 kW
50×65×85/92 cm
Ø 120 mm

BASIC



INOX
MAT



» POSSIBILITY
Glass-ceramic
cooking plate
(CERAN).



◆ **SG-60**
◆ **PREMIUM**
◆ **SOLID FUEL
COOKERS**

COLORS



BASIC COLORS



A+	L/R
Nominal heat output	7,5 kW
Dimensions (W x D x H)	60×65×85/92 cm
Flue gases exhaust	Ø 120 mm

◆ **SG-60**
◆ **SOLID FUEL
COOKERS**



SG-75

SOLID FUEL
COOKERS

BASIC

COLORS



INOX
MAT

PC-2

PC-3

PC-7

A+

L/R

Nominal heat output

8,1 kW

Dimensions (W x D x H)

75x65x85/92 cm

Flue gases exhaust

Ø 120 mm



BASIC COLORS



INOX
MAT



PC-2



PC-3



PC-7

A+

L/R

Nominal heat output
Dimensions (W x D x H)
Flue gases exhaust

8,6 kW
90×65×85/92 cm
Ø 120 mm

SG-90

SOLID FUEL
COOKERS





CENTRAL HEATING

FIREPLACES



C-25

CENTRAL HEATING
FIREPLACES

A+

Nominal heat output

12 - 25 kW

Dimensions (W x D x H)

65×75×115 cm

Flue gases exhaust

Ø 200 mm



» COMBINATION
with existing heating system

A

Nominal heat output

20 - 35 kW

Dimensions (W x D x H)

85×87×125 cm

Flue gases exhaust

Ø 200 mm



C-35

CENTRAL HEATING
FIREPLACES



C-25

MODERN

CENTRAL HEATING
FIREPLACES



A+

Nominal heat output
Dimensions (W x D x H)
Flue gases exhaust

12 - 25 kW
65×75×115 cm
Ø 200 mm

A

Nominal heat output
Dimensions (W x D x H)
Flue gases exhaust

20 - 35 kW
85×87×125 cm
Ø 200 mm



» COMBINATION
with existing heating system



C-35

MODERN

CENTRAL HEATING
FIREPLACES

FIREPLACE

ROOM STOVE







SENKO



FIREPLACE ROOM STOVE SP

Senko fireplace room stove combines elegance and practicality.

With its dimensions, it easily fits into different spaces. It provides the perfect warmth and fire atmosphere, and its modern design makes the space pleasant to stay in.



It meets the strictest European standards and the ECODESIGN directive and ensures clean combustion with minimal emission of harmful gases.



COLORS



PC-8

CERAMICAL PLATES



WHITE



MINT GREEN

◀ ◀ ◀
SP
FIREPLACE
ROOM STOVE



A

Nominal heat output
Dimensions (W x D x H)
Flue gases exhaust

5,2 kW
35×70×82,5 cm
Ø 150 mm



◀
SPECIAL OFFER
stove with ceramic plates.



PELLET

STOVES





SENKO PELLETT STOVES

● ● ● ● *SENKO pellet stoves are used for heating residential spaces and/or as central heating and at the same time they can be a decorative element in every ambience.*

● ● ● ● *Fan blows warm air from the stove to the room through special grids on the front side of the stove. The second fan is leading the primary air to the firebox and at the same time flue gases are lead from the firebox to the chimney. SENKO pellet stoves are distinguished by their high efficiency (91-96%) as well as a very low environmental pollution level. They are designed and produced down to the last detail in order to satisfy, in the best way possible, all consumers' needs regarding functionality and safety.*

SENKO PELLETT STOVES FOR CENTRAL HEATING HAVE MOST EQUIPMENT ON THE MARKET:

- » high-efficiency circulation pump
- » closed expansion vessel
- » safety valve 2.5 bar
- » valve for filling-emptying the bolier
- » automatic air vent



ADVANTAGES

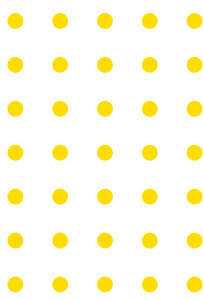
SENKO PELLET STOVES

- ◆ *Dosing of pellets to the firebox is automated and programmed with an electronic switch by means of a screw feeder.*
- ◆ *Control panel secures a simple handling and adjusting of all required parameters - menu on 14 languages (HR-SI-RS-RO-IT-EN-FR-ES-DE-PT-NL-GR-TR-HU).*
- ◆ *Regulation by remote control - switching on / switching off, adjusting the fan speed, heating power.*
- ◆ *Possibility to programme daily / weekly work schedule of the stove (6 available programs).*
- ◆ *Possibility to regulate space heating temperature by means of a room thermostat.*
- ◆ *Possibility of connecting outside air required for combustion (avoiding oxygen consumption in the room for dwelling).*
- ◆ *Safety devices which are automatically stopping the dosing of pellets to the firebox and reporting the alarm signal on the control panel.*
- ◆ *Possibility of monitoring the pellets consumption in kg/h.*
- ◆ *Possibility of regulation by smartphone - wifi module (OPTION).*
- ◆ *Touch screen display – ONLY at P 8 AIR SLIM and P 10 WATER+AIR SLIM stoves.*

P 10 AIR

MODERN

PELLET STOVES
FOR RESIDENTIAL
SPACE HEATING



A+

AIR

Nominal heat output
Dimensions (W x D x H)
Flue gases exhaust

10 kW
52×58×107 cm
Ø 80 mm

COLORS



PC-2



PC-3



PC-7



▼ **P 8 AIR**
 ▼ **SLIM MODERN**

▼ PELLET STOVES
 FOR RESIDENTIAL
 SPACE HEATING



COLORS



PC-2

PC-3

PC-7



SPECIAL OFFER
 new design of glass plates
GLASS DESIGN

A+	AIR
Nominal heat output	8 kW
Dimensions (W x D x H)	91×31×113 cm
Flue gases exhaust	Ø 80 mm



P 20

WATER + AIR

MODERN

PELLET STOVES
FOR CENTRAL HEATING



A++

WATER + AIR

Nominal heat output
Dimensions (W x D x H)
Flue gases exhaust

19 kW
66×70×126 cm
Ø 80 mm



» COMBINATION
with existing heating system

COLORS



PC-2



PC-3



PC-7



A++

WATER + AIR

Nominal heat output
Dimensions (W x D x H)
Flue gases exhaust

13 kW
60×70×114 cm
Ø 80 mm



P 12

WATER + AIR

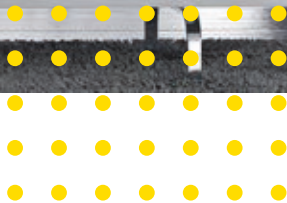
MODERN

PELLET STOVES
FOR CENTRAL HEATING

P 10

WATER + AIR
SLIM MODERN

PELLET STOVES
FOR CENTRAL HEATING



COLORS



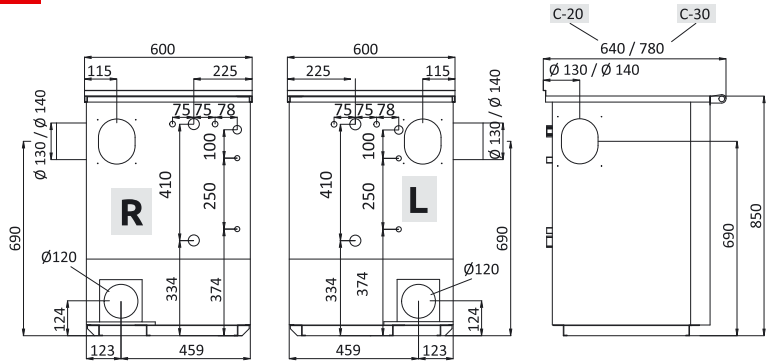
» COMBINATION
with existing heating system



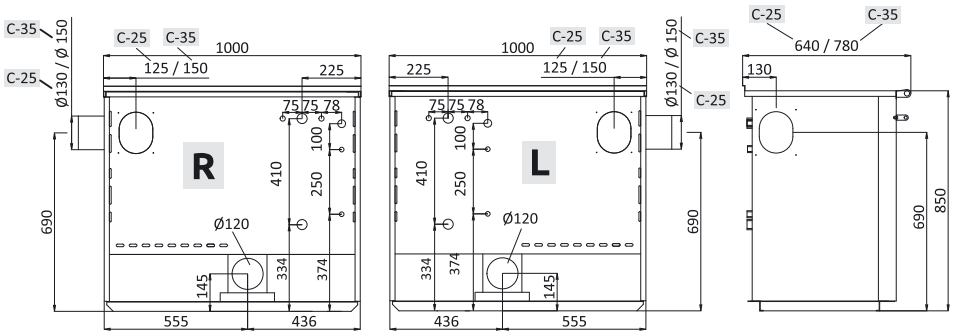
A++	WATER + AIR
Nominal heat output	12 kW
Dimensions (W x D x H)	91×31×115 cm
Flue gases exhaust	Ø 80 mm

SPECIAL OFFER
new design of glass plates
GLASS DESIGN

C-20 / C-30

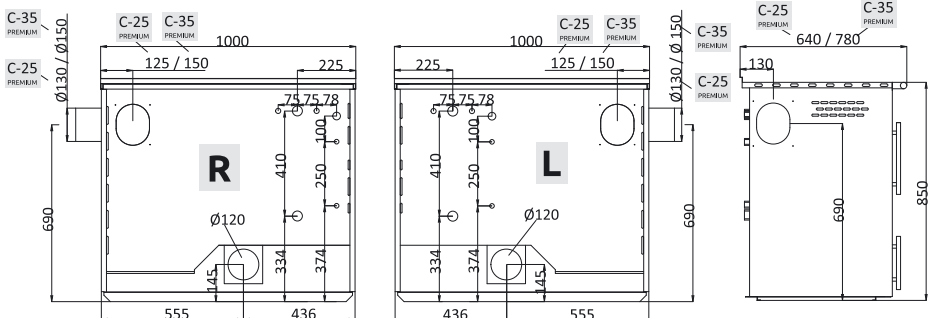


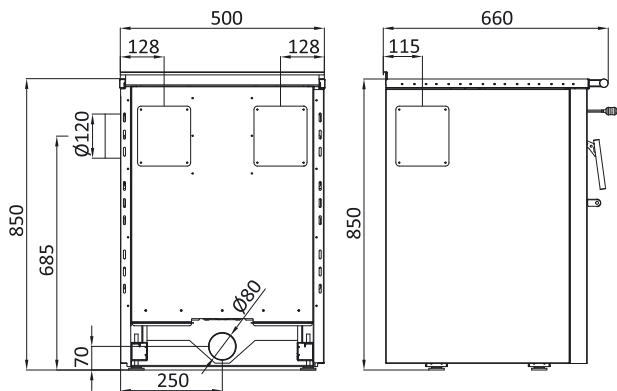
C-25 / C-35



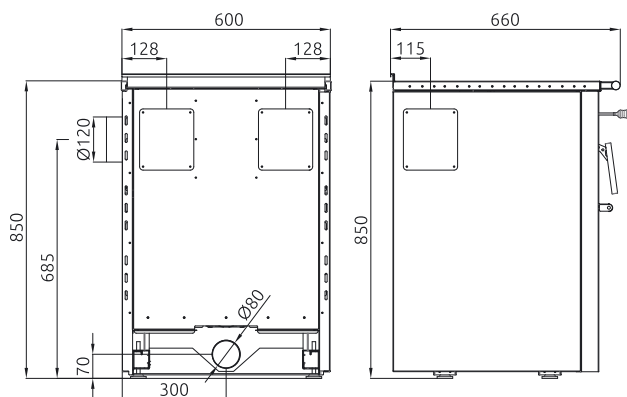
C-25 PREMIUM

C-35 PREMIUM

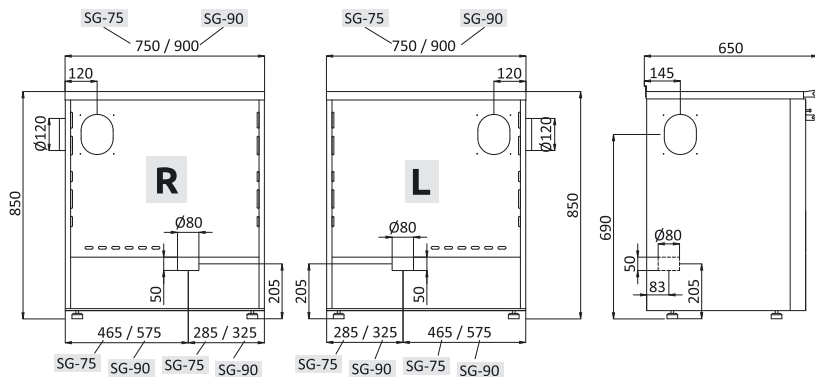




SG-50



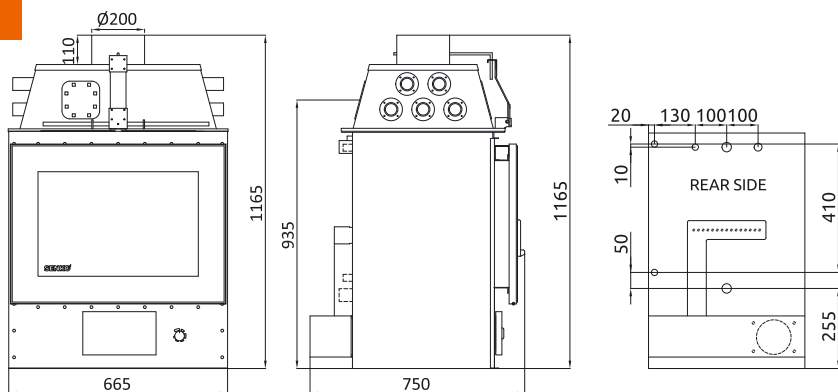
SG-60



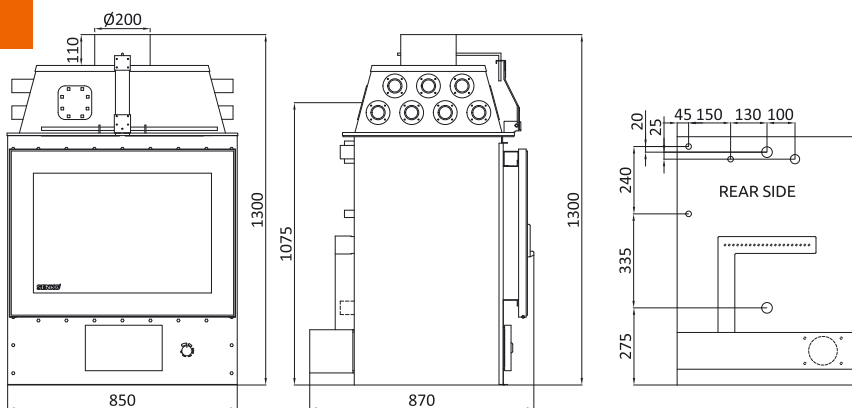
SG-75

SG-90

C-25

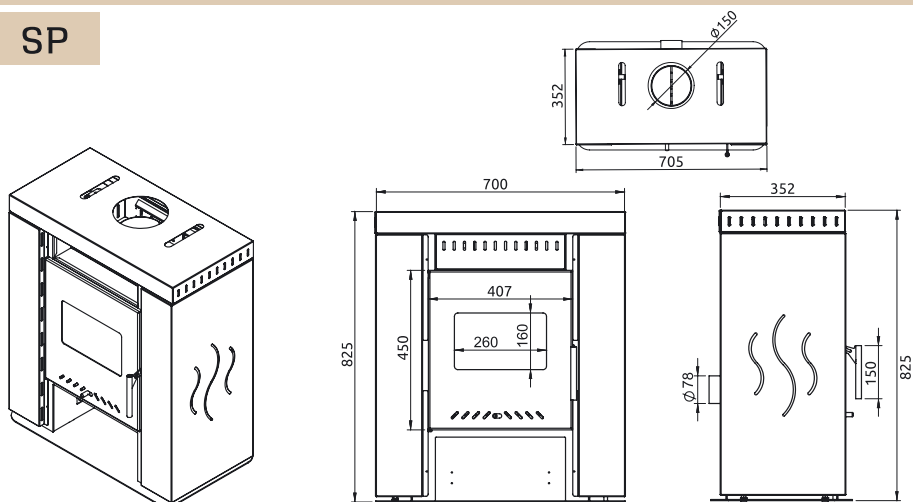


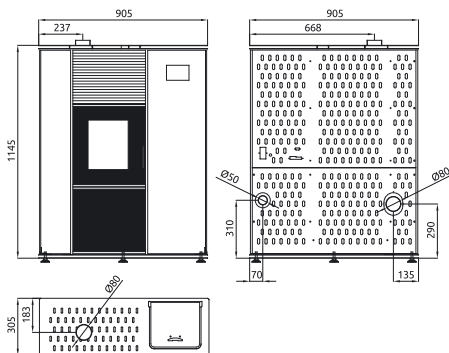
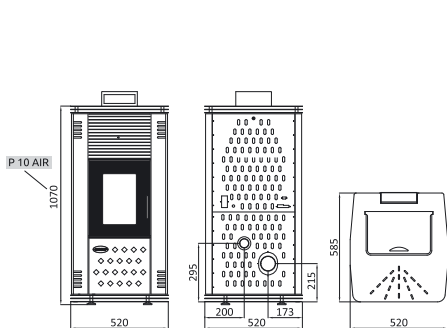
C-35



▶ FIREPLACE ROOM STOVE

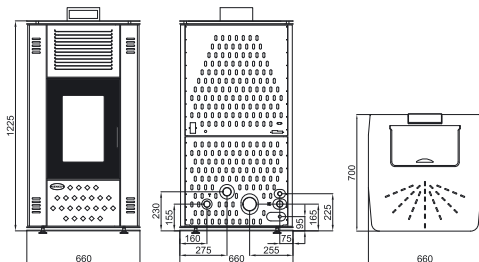
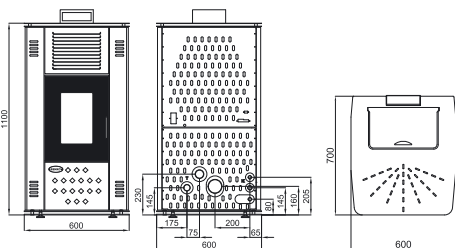
SP





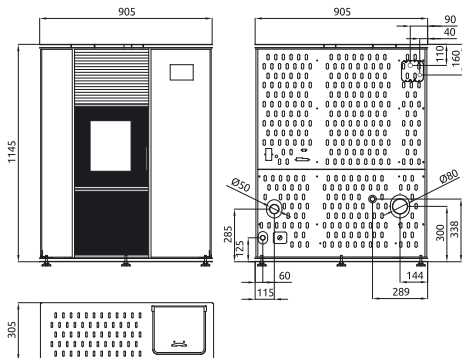
P 10 AIR MODERN

P 8 AIR SLIM MODERN



**P 12 MODERN
WATER + AIR**

**P 20 MODERN
WATER + AIR**



**P 10 SLIM MODERN
WATER + AIR**

COOKERS ◆ ◆ ◆



CENTRAL HEATING COOKERS

Parameter	Unit	C-20	C-20 PREMIUM	C-30
Nominal heat output	kW	15,8 - 25	15,8 - 25	19,1 - 35
Boiler	kW	5,8 - 20	5,8 - 20	5,2 - 23
Room	kW	10 - 5	10 - 5	13,9 - 12
Amount of water in boiler	L	20	20	28
Weight	kg	160	184	200
Cooking plate (WxD)	mm	457 x 437	457 x 437	567 x 455
Oven dimensions (WxDxH)	mm	-	-	-
Primary air intake	mm	Ø 130	Ø 130	Ø 140
Connection for primary air	mm	Ø 120	Ø 120	Ø 120
Required flue draught	Pa	13	13	15
Efficiency	%	84,7	84,7	83,32
Air regulation	primary	auto	auto	auto
	secondary	manual	manual	manual
Boiler protection		prepared for boiler overheating thermal protection		
Firebox grate - movable		mechanism	mechanism	mechanism
Hight of stove	mm	850 - 920	850 - 920	850 - 920
Firebox door		fireproof glass		
Energy efficiency class		A+	A+	A+



SOLID FUEL COOKERS

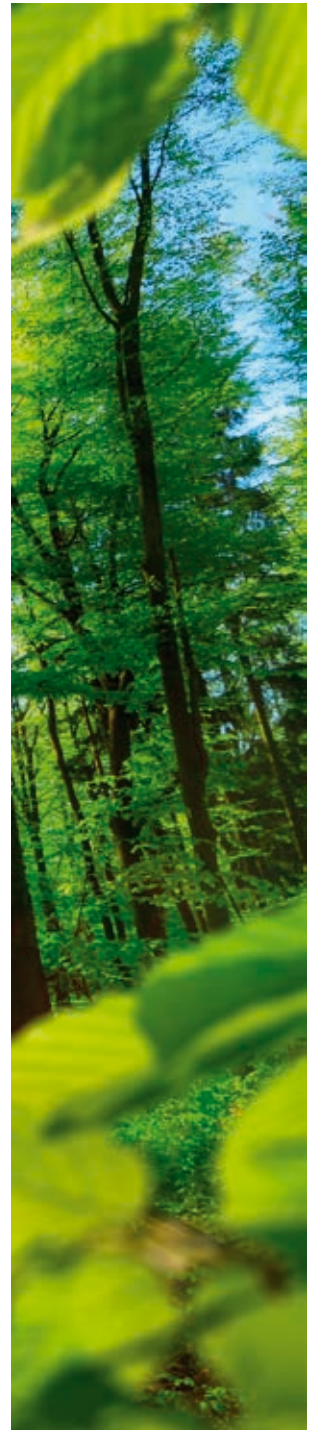
Parameter	Unit	SG-50	SG-60	SG-60 PREMIUM
Nominal heat output	kW	7,2	7,5	7,5
Room	kW	7,2	7,5	7,5
Weight	kg	133	151	158
Cooking plate (WxD)	mm	390 x 440	460 x 438	460 x 438
Oven dimensions (WxDxH)	mm	260 x 450 x 200	360 x 450 x 260	360 x 450 x 260
Primary air intake	mm	Ø 120	Ø 120	Ø 120
Connection for primary air	mm	Ø 80	Ø 80	Ø 80
Required flue draught	Pa	12	12	12
Efficiency	%	81,2	82,6	82,6
Air regulation	primary	manual	manual	manual
	secondary	manual	manual	manual
Firebox grate - movable		-	-	-
Hight of stove	mm	850 - 920	850 - 920	850 - 920
Firebox door		fireproof glass		
Energy efficiency class		A+	A+	A+



C-25	C-35	C-25 PREMIUM	C-35 PREMIUM
17,2 - 25	21 - 35	17,2 - 25	21 - 35
4,5 - 18	5,4 - 21	4,5 - 18	5,4 - 21
12,7 - 7	15,6 - 14	12,7 - 7	15,6 - 14
20	28	20	28
235	270	260	300
860 x 440	860 x 567	860 x 440	860 x 567
360 x 460 x 260	360 x 600 x 260	400 x 360 x 460	400 x 600 x 360
Ø 130	Ø 150	Ø 130	Ø 150
Ø 120	Ø 120	Ø 120	Ø 120
13	15	13	15
82,9	82,68	82,9	82,68
auto	auto	auto	auto
manual	manual	manual	manual
prepared for boiler overheating thermal protection			
mechanism	mechanism	mechanism	mechanism
850 - 920	850 - 920	850 - 920	850 - 920
fireproof glass			
A+	A+	A+	A+



SG-75	SG-90
8,1	8,6
8,1	8,6
151	170
640 x 480	787 x 480
330 x 440 x 270	400 x 440 x 230
Ø 120	Ø 120
Ø 80	Ø 80
12	12
87	83,6
manual	manual
manual	manual
movable	movable
850 - 920	850 - 920
fireproof glass	
A+	A+



FIREPLACES ▶ ▶ ▶



CENTRAL HEATING FIREPLACES

Parameter		Unit	C-25	C-35	C-25 MODERN	C-35 MODERN
Nominal heat output		kW	12 - 25	20 - 35	12 - 25	20 - 35
Boiler		kW	5 - 20	12 - 31	5 - 20	12 - 31
Room		kW	7 - 5	8 - 4	7 - 5	8 - 4
Amount of water in boiler		L	32	55	32	55
Weight		kg	171	257	160	264
Primary air intake		mm	Ø 200	Ø 200	Ø 200	Ø 200
Connection for primary air		mm	Ø 120	Ø 150	Ø 120	Ø 150
Required flue draught		Pa	12	16	12	16
Efficiency		%	78,6	71,5	78,6	71,5
Air regulation	primary		auto	auto	auto	auto
	secondary		auto	auto	auto	auto
Boiler protection			prepared for boiler overheating thermal protection			
Firebox door			fireproof glass			
Energy efficiency class			A+	A	A+	A



FIREPLACE ROOM STOVE ▶ ▶ ▶

Parameter		Unit	SP
Nominal heat output		kW	5,2
Room		kW	5,2
Width		mm	700
Depth		mm	350
Height		mm	825
Weight		kg	70
Combustion chamber opening		w × h (mm)	270 × 212
Chimney connection		mm	Ø 150
Required flue draught		Pa	12
Air regulation	primary		manual
	secondary		/
Produced according to the CE standar			EN 16510
Energy efficiency class			A

PELLET STOVES



MODERN PELLET STOVES FOR CENTRAL HEATING



Parameter	Unit	P 12 MODERN WATER + AIR	P 20 MODERN WATER + AIR	P 10 SLIM MODERN WATER + AIR
Nominal heat output	kW	13	19	12
Boiler	kW	11,5	16,7	10,3
Room	kW	1,5	2,6	1,6
Amount of water in boiler	L	30,5	35	20
Weight	kg	213	257	165
Fuel consumption at nominal power*	kg/h*	2,8	4,2	2,7
Tank capacity	kg	34	54	15
Primary air intake	mm	Ø 50	Ø 50	Ø 50
Required flue draught	Pa	12	12	12
Efficiency at nominal power	%	94,95	94,93	90,72
Supply voltage and frequency	V / Hz	230 / 50	230 / 50	230 / 50
Air regulation	primary	auto	auto	auto
	secondary	auto	auto	auto
Manufactured according to standard		EN 14785	EN 14785	EN 14785
Energy efficiency class		A++	A++	A++

MODERN PELLET STOVES FOR RESIDENTIAL SPACE HEATING



Parameter	Unit	P 10 AIR MODERN	P 8 AIR SLIM MODERN
Nominal heat output	kW	10	8
Boiler	kW	/	/
Room	kW	10,2	8,1
Weight	kg	132	132
Fuel consumption at nominal power*	kg/h*	2,3	1,9
Tank capacity	kg	25	16
Primary air intake	mm	Ø 50	Ø 50
Required flue draught	Pa	12	12
Efficiency at nominal power	%	90,85	85,71
Supply voltage and frequency	V / Hz	230 / 50	230 / 50
Air regulation	primary	auto	auto
	secondary	auto	auto
Manufactured according to standard		EN 14785	EN 14785
Energy efficiency class		A+	A+

Fulfilled the requirements of the following standards:

15a B-VG (Austria) • **I.BImSchV Stufe 2** (Germany) • **VKF AEA1** (Switzerland) • **DIN plus** (Germany)

NOTES: technical data refer to the use of wood pellets of ENplus-A1 quality, lower calorific value 4.9 kWh/kg.

* variable data, may differ depending on the pellets used

SENCEL
powered by **SENKO**

ELECTRIC BOILER

FOR CENTRAL HEATING





BOILER

FOR ELECTRIC CENTRAL
HEATING

*Automated, elegant and
environmentally friendly
heating.*

D

Heat output	6 - 30 kW
Dimensions	40×72,1×28,3 cm
Mains voltage	230/400 V 50 Hz

COLORS



WHITE ANTHRACITE



COMBI BOILER

- FOR ELECTRIC CENTRAL
- FOR DOMESTIC HOT
WATER HEATING

A

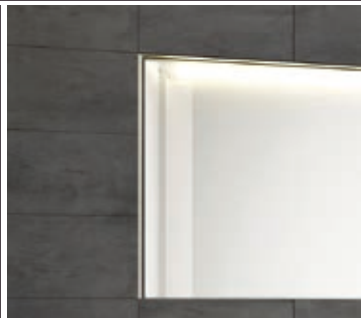
COMBI

Heat output	15 - 30 kW
Dimensions	40×77,1×28,3 cm
Mains voltage	230/400 V 50 Hz

Specification of SENel electric boiler for central heating with or without hot water preparation



- ▶ *Small device size of all models from 6 to 30 KW.*
- ▶ *Modern design in two colors (white and anthracite + GLASS DESIGN by orders).*
- ▶ *Quality and reliable components of the well known European brands.*
- ▶ *Simple power reduction.*
- ▶ *Easy and fast installation.*
- ▶ *Selective and modulation ignition relay / heater.*
- ▶ *Fully automatic power control.*
- ▶ *Water overheating protection, too high and too low pressure.*
- ▶ *Complete hydro equipment WILO electronic pump, safety valve, breather valve, pressure thermometer, expansion vessel.*
- ▶ *ANTIFROST function*
 - frost protection system
 - switching on the device at temp. water below 5°C.
- ▶ *ANTIBLOCKING function*
 - pump blockage protection
 - pump activation 1 min every 23 h.
- ▶ *TIMER function*
 - simple and automatic adjustment at a given time.
- ▶ *Room control function thermostat.*
- ▶ *Based management function temperature in the water tank.*
- ▶ *WIFI management*
 - application with possible settings of temperature and timer.
- ▶ *MODE SUMMER - WINTER*
 - energy saving.
- ▶ *Available models 6, 9, 12, 15, 18, 22.5, 24 and 30 kW - SENel for central heating and SENel COMBI for central heating and hot water preparation 15, 18, 22.5, 24 and 30 kW.*



BOILER for electric central heating

Parameter	Unit	6	9	12	15
Heat output	kW	6	9	12	15
Mains voltage	Vac	1x230 50 Hz		3x400/230 50 Hz	
Electric heaters	pcs x kW	2x3	1x3-1x6	2x6	2x7,5
Max operating temperature	°C	75	75	75	75
Max operating overpressure	bar	3	3	3	3
Flow line connection	col	G3/4	G3/4	G3/4	G3/4
Outlet line connection	col	G3/4	G3/4	G3/4	G3/4
Boiler water content	l	7	7	7	7
Expansion vessel volume	l	6	6	6	6
Dimensions (w x h x d)	mm	400x721x283	400x721x283	400x721x283	400x721x283
Device weight	kg	31	31	31	31
Energy class		D	D	D	D

COMBI BOILER for electric central heating and for domestic hot water heating

Parameter	Unit	15	18
Heat output	kW	15	18
Mains voltage	Vac	3x400/230 50 Hz	
Electric heaters	pcs x kW	2x7,5	3x6
Max operating temperature	°C	75	75
Max operating overpressure	bar	3	3
Flow line connection	col	G3/4	G3/4
Outlet line connection	col	G3/4	G3/4
Boiler water content	l	7	7
Expansion vessel volume	l	6	6
Dimensions (w x h x d)	mm	400x771x283	400x771x283
Device weight (without water)	kg	35	36
Energy class		A	A



18	22,5	24	30
18	22,5	24	30
3x400/230 50 Hz			
3x6	3x7,5	4x6	4x7,5
75	75	75	75
3	3	3	3
G3/4	G3/4	G3/4	G3/4
G3/4	G3/4	G3/4	G3/4
7	7	7	7
6	6	6	6
400x721x283	400x721x283	400x721x283	400x721x283
32	32	34	34
D	D	D	D



22,5	24	30
22,5	24	30
3x400/230 50 Hz		
3x7,5	4x6	4x7,5
75	75	75
3	3	3
G3/4	G3/4	G3/4
G3/4	G3/4	G3/4
7	7	7
6	6	6
400x771x283	400x771x283	400x771x283
36	37	37
A	A	A



SENKO

Vladimira Nazora 22, Štefanec, 40000 Čakovec, Croatia

Phone: +385 (0)40 33 73 44 • E-mail: info@senko.hr

www.senko.hr



facebook

YouTube



There may be possible differences in colors hues of displayed products. Hues may differ from those in reality. All relevant technical data have been obtained in the laboratory (ideal) conditions. Variations are possible. We reserve the right to change the technical details and colors of the products listed in this catalog, without prior notice.

04-2024